

# Installation instruction for PZ4AL- 01839-00

## Toyota Corolla Verso, Toyota Avensis, Toyota Avensis MC

Under run protective shield for engine bay and transmission case

**Toyota Avensis**





**Toyota Corolla Verso**

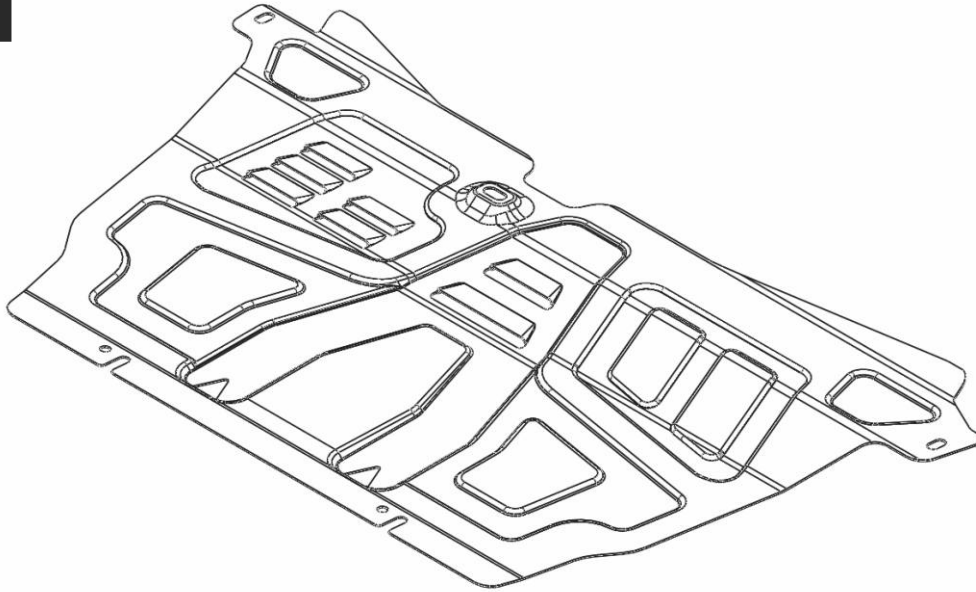


**Toyota Avensis MC**



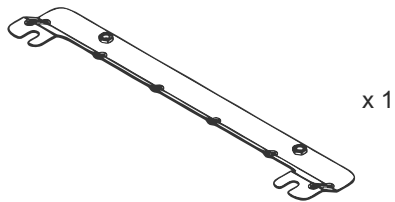
	<b>Toyota Corolla Verso</b>	<b>Toyota Avensis</b>	<b>Toyota Avensis MC</b>
Model Year:	2009-	2008-	2011-
Vehicle Code:	ZGR20L-GWFDPW ZGR21L-GWXDPW ZGR21L-GWFEPW ZGR21L-GWXEPW ZGR21L-GWXEPW	ZRT270L-AEFNPW; ZRT271L-AEFNPW ZRT271L-AEXNPW; ZRT271L-AEFEPW ZRT271L-AEXEPW; ZRT272L-AEXGPW ZRT271L-AWFNPW; ZRT271L-AWXNPW ZRT271L-AWXEPW; ZRT272L-AWXGPW	ZRT271L-AEFNPW ZRT271L-AEXNPW ZRT271L-AEFEPW ZRT271L-AEXEPW ZRT271L-AEXGPW ZRT271L-AWFNPW ZRT271L-AWXEPW
Part Number:	PZ4AL-01839-00	PZ4AL-01839-00	PZ4AL-01839-00
 Weight:	4.54 kg	4.54 kg	4.54 kg
 Installation Time:	25 min	25 min	25 min
Manual reference number:	AIM 002 080-0	AIM 002 080-0	AIM 002 080-0

**A**

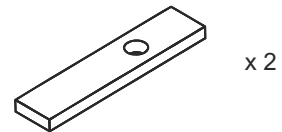


PZ4AL-01561-60

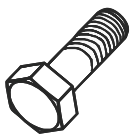
**B**



**C**



**D**



4 x M 10x20

**E**



4 x Ø 10

**F**

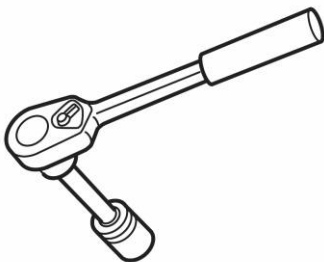


1 x M12x1.25x20

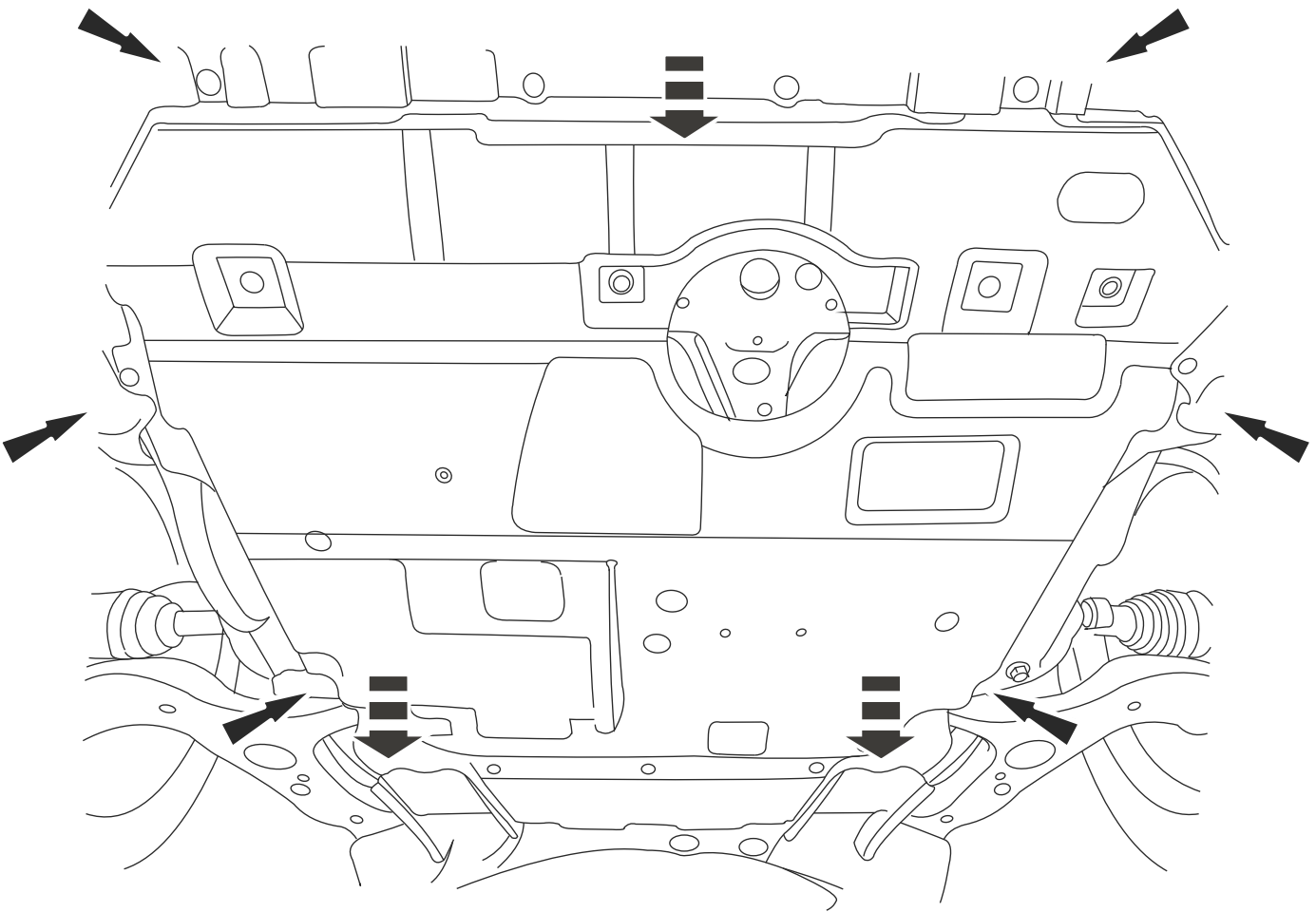
**G**



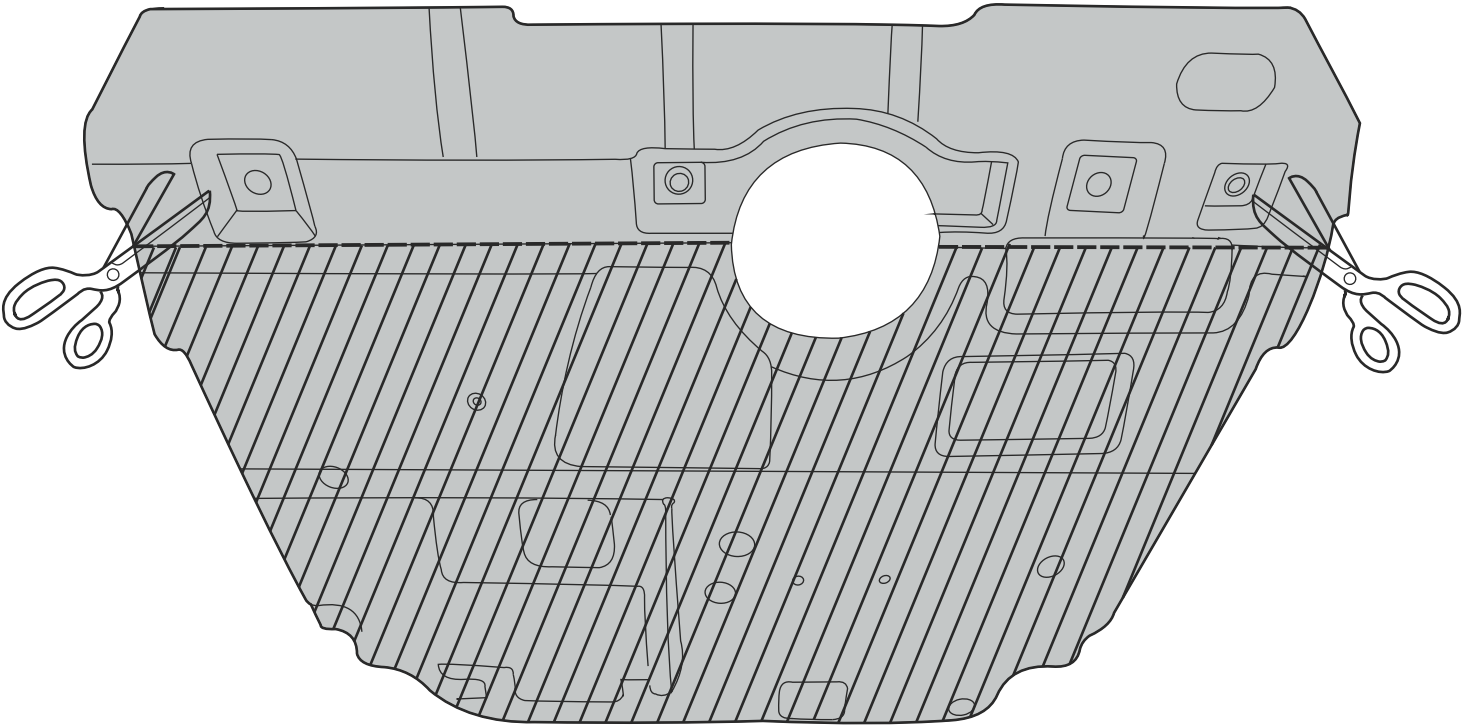
1 x Ø 12



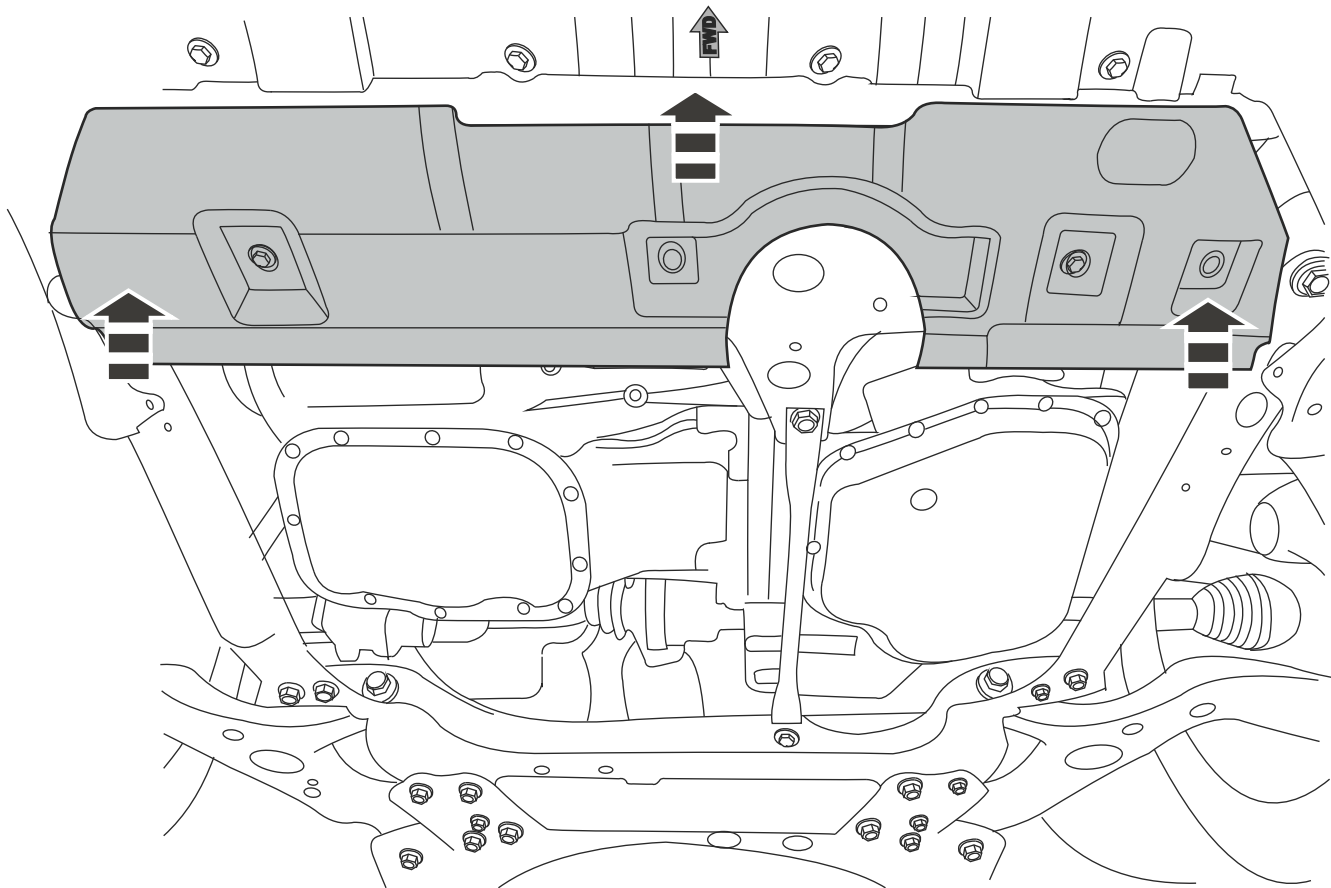
**1**



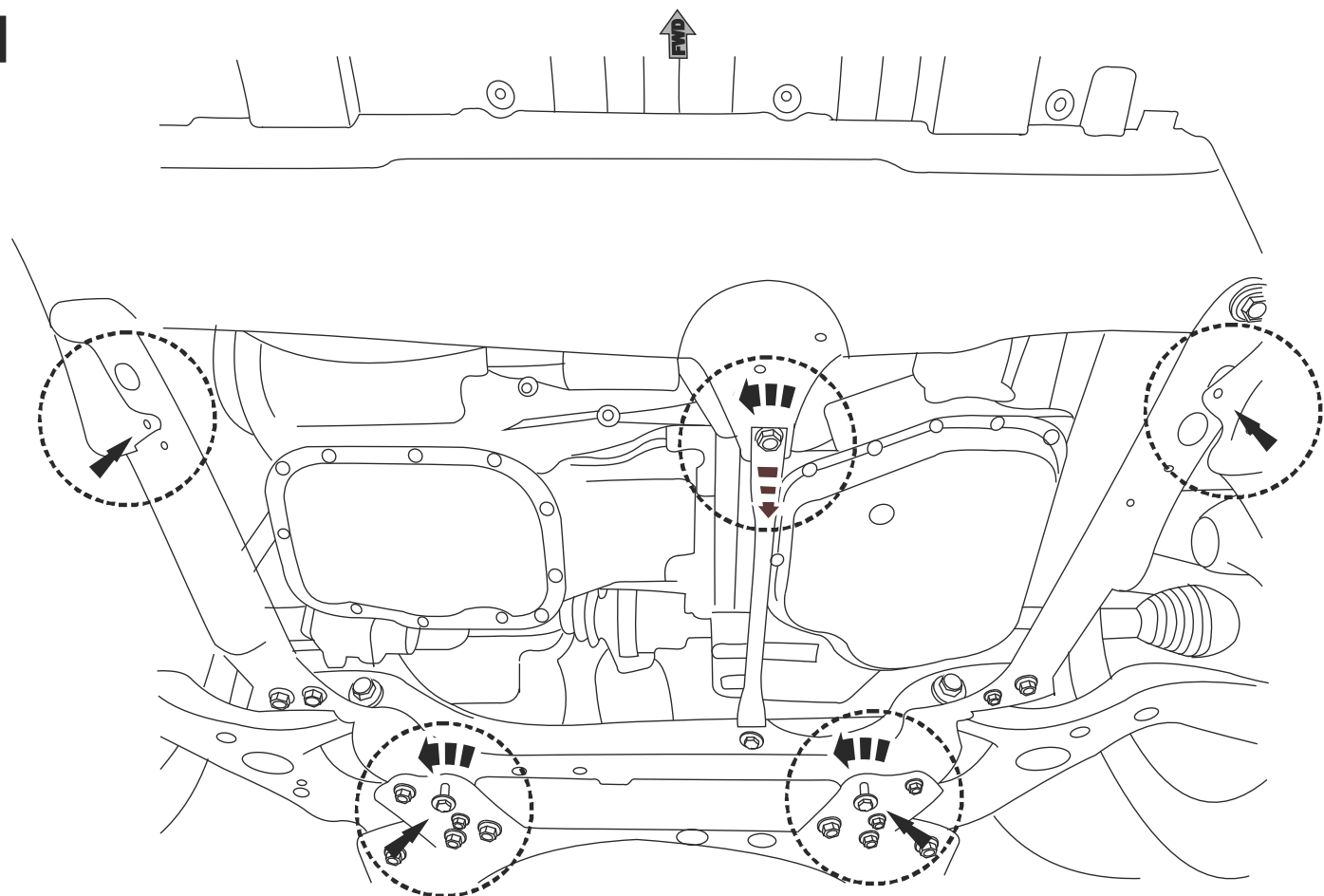
**2**



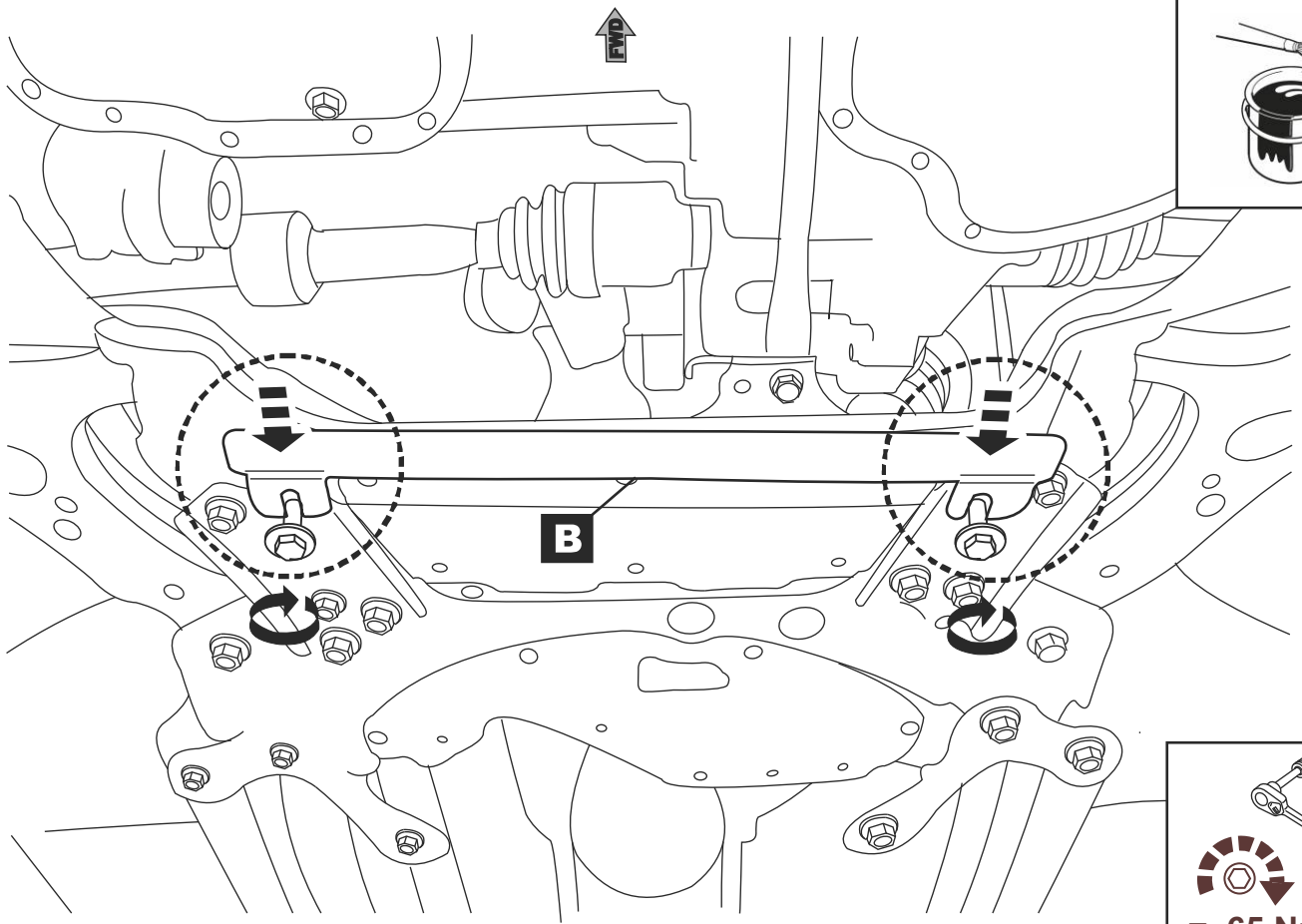
**3**



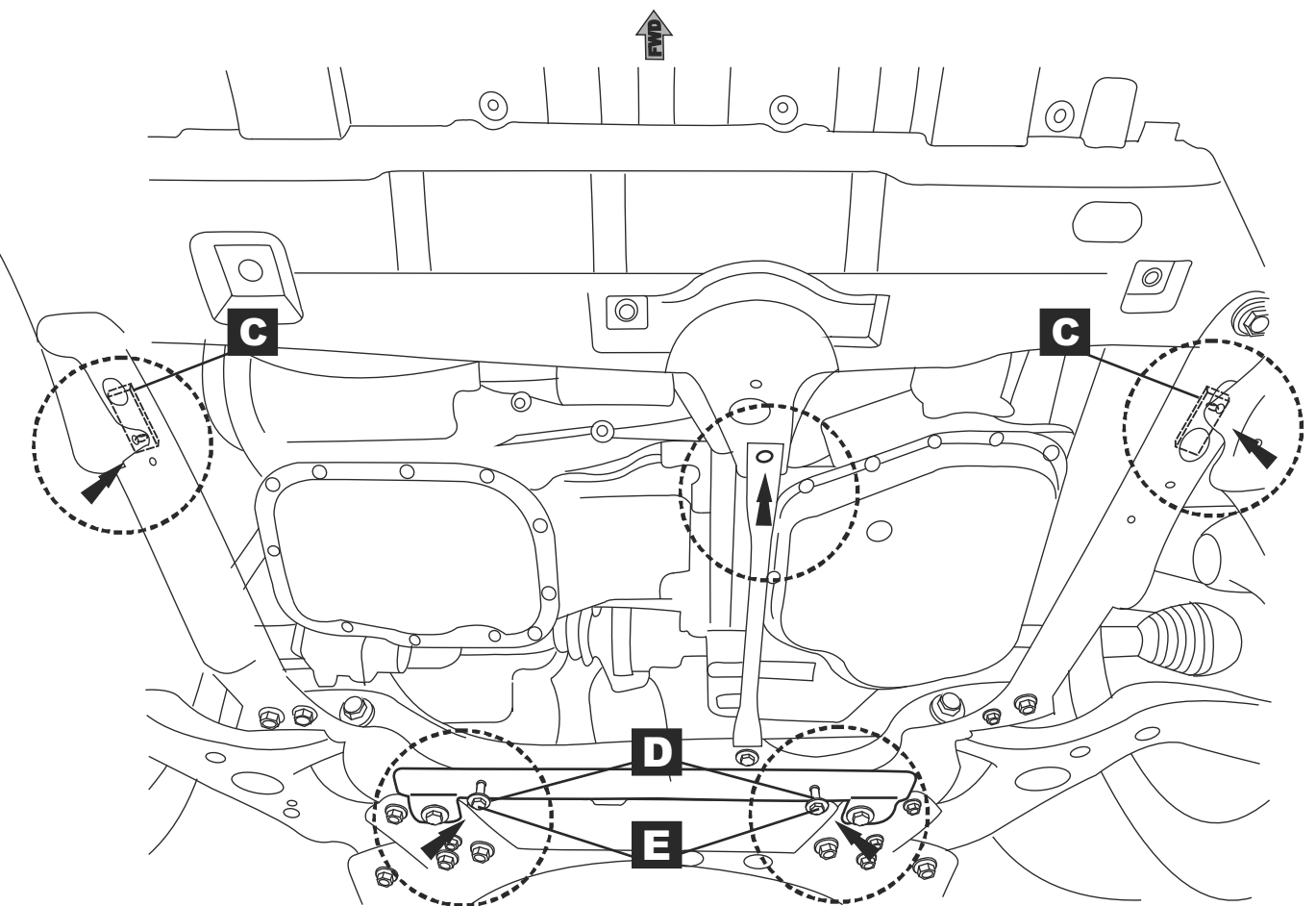
**4**



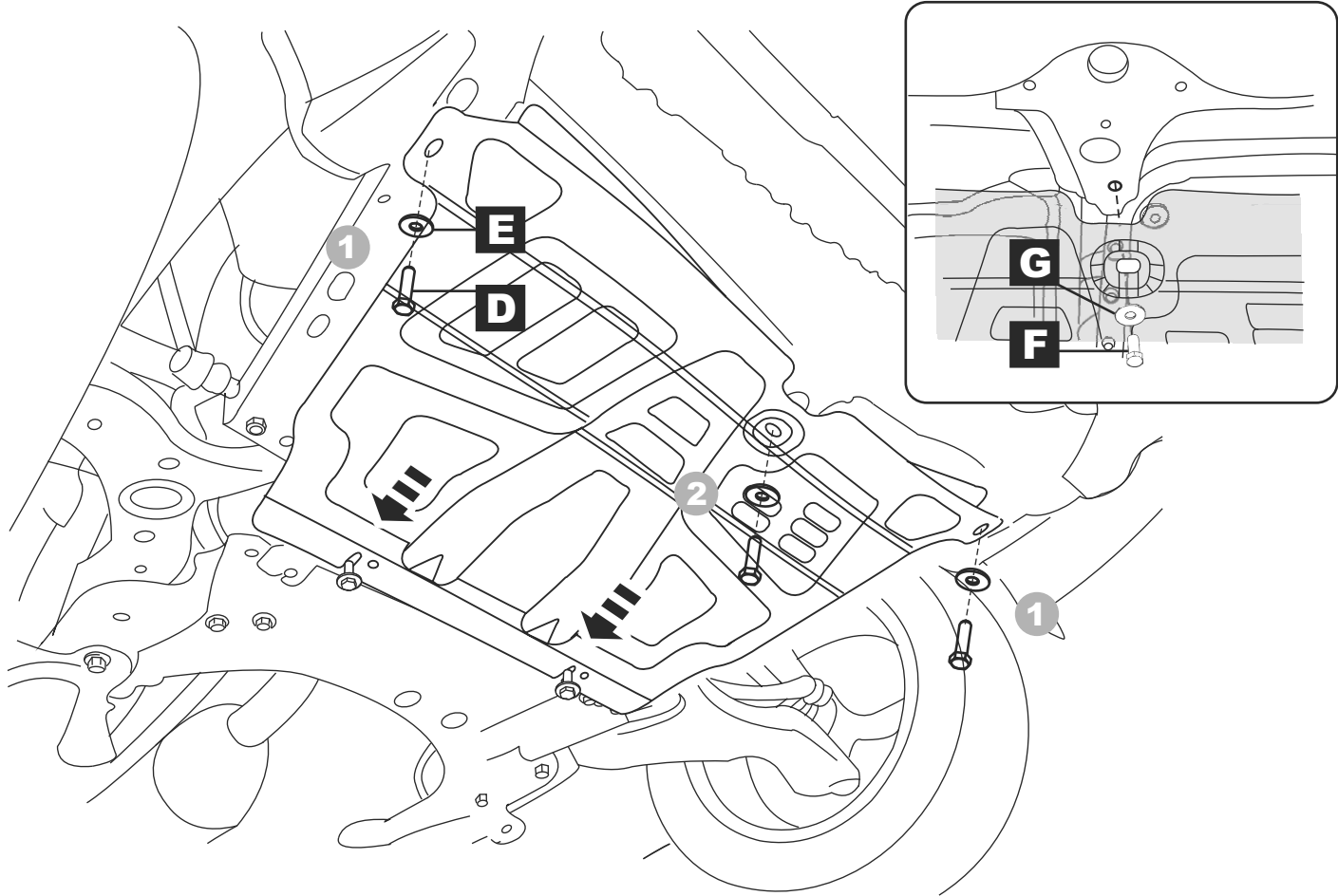
**5**



**6**



**7**



**8**

